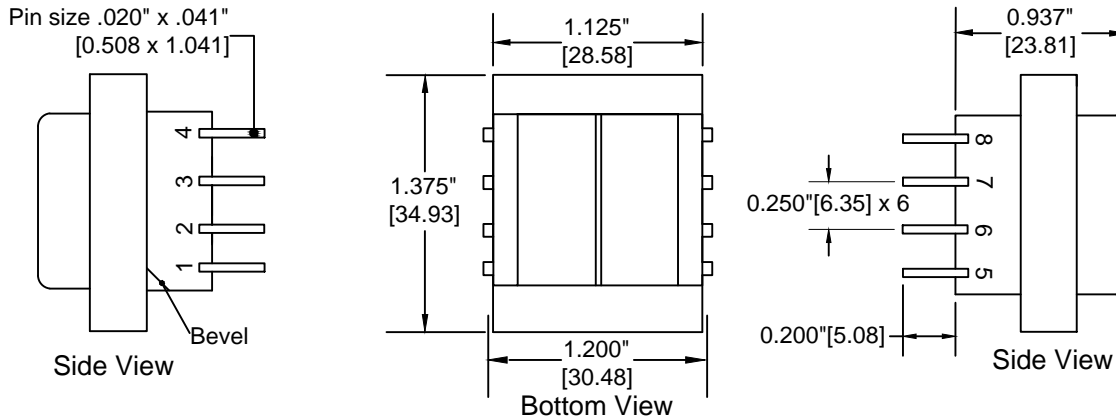


SPW-350-D Series: 1.1 VA Standard Profile PC Mount Power transformers with dual 115/230V primaries and dual secondaries for Domestic power applications. Split bobbin construction provides excellent primary to secondary isolation.

- Dielectric Strength - 2500Vrms Hipot primary - secondary
- Dual Primaries (must be used either Series or Parallel connected as one winding), 115/230V, 60 Hz
- Dual Secondaries - Series or Parallel
- UL Recognized CLASS B (130°C) Insulation system, UL 1446 (File E85315)
- Three flange bobbin design, no electrostatic shield required
- 100% Final Tested - Every transformer is tested on automated panels for induced voltage (shorted turns), exciting current, open circuit voltage (turns ratio), polarity (phasing) and dielectric strength
- Immersed in 100% solids epoxy resin to withstand most aqueous and solvent cleaning systems
- Other primary and secondary voltages may be custom designed to your specifications
- Anchor, insulating and crossover tapes. Two distinct, separate windings for each primary and secondary assure excellent Hipot capability between these windings

All dimensions for reference only. []=mm



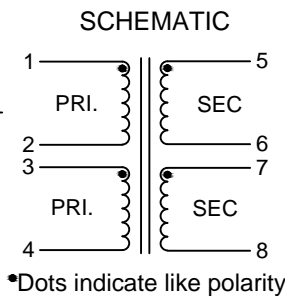
PRIMARY AND SECONDARY WINDINGS ARE DESIGNED TO BE EACH USED AS ONE WINDING WITH EITHER PARALLEL OR SERIES CONNECTIONS ONLY!

Dual Primary (-D)

INPUT VOLTAGE 1 - 4 (Tie 2-3) 230V, 60Hz
INPUT VOLTAGE 1 - 4 (Tie 1-3, 2-4) 115V, 60Hz

SECONDARY PARALLEL CONNECTIONS:
TIE 5-7, 6-8; OUTPUT 5-8

SECONDARY SERIES CONNECTIONS:
TIE 6-7; OUTPUT 5-8



RMS RATING WITH SECONDARIES CONNECTED IN:

Part Number	VA	Series	Parallel
SPW-350-D	1.1	10Vct@110mA	5V@220mA
SPW-351-D	1.1	12.6Vct@90mA	6.3V@180mA
SPW-352-D	1.1	16Vct@70mA	8V@140mA
SPW-353-D	1.1	20Vct@55mA	10V@110mA
SPW-354-D	1.1	24Vct@45mA	12V@90mA
SPW-355-D	1.1	28Vct@40mA	14V@80mA
SPW-356-D	1.1	36Vct@30mA	18V@60mA
SPW-357-D	1.1	48Vct@23mA	24V@46mA
SPW-358-D	1.1	56Vct@20mA	28V@40mA
SPW-359-D	1.1	120Vct@10mA	60V@20mA

SPW-350-D Series

Notes

Agency Approvals:

UL:
-1446 (File E85315)
-506 / 5085-2 General Purpose (File E96326)

CSA-C22.2 No. 66.1-06,
66.2-06 General Purpose (File 063944)

FUSING THE TRANSFORMER TO MEET SAFETY AGENCY REQUIREMENTS IS THE RESPONSIBILITY OF THE CUSTOMER.

-1 Update CSA approval 8-7-15

PREM
MAGNETICS INCORPORATED
3521 N. CHAPEL HILL RD.
JOHNSBURG, IL 60051

PREM PART SPW-350-D
DOMESTIC SERIES

Approved: R. RANDOW

Scale: None

Date: 03/18/2015